



Standard Specification for Filled Compounds of Polytetrafluoroethylene (PTFE) Molding and Extrusion Materials¹

This standard is issued under the fixed designation D 4745; the number immediately following the designation indicates the year of original adoption or, in the case of revision, the year of last revision. A number in parentheses indicates the year of last reapproval. A superscript epsilon (ϵ) indicates an editorial change since the last revision or reapproval.

1. Scope*

1.1 This specification covers polytetrafluoroethylene (PTFE) filled molding compounds made with virgin PTFE resins defined in Specification D 4894, except Types I, IV, V, and VI.

NOTE 1—This specification can be used as a model for other PTFE compounds having particulate fillers that can survive the sintering temperatures of PTFE as can those listed in this specification. This specification is restricted to virgin PTFE base resin for technical reasons. Recycled or reprocessed material cannot be processed successfully.

NOTE 2—The properties measured on commercially fabricated parts may differ from the listed values for samples prepared by the procedures given in this specification, depending on part geometry and processing parameters.

NOTE 3—There is no ISO equivalent to this specification.

1.2 The values stated in SI units are to be regarded as standard.

1.3 The following statement applies to the test method portion, Section 12, of this specification: *This standard does not purport to address all of the safety concerns, if any, associated with its use. It is the responsibility of the user of this standard to establish appropriate safety and health practices and determine the applicability of regulatory limitations prior to use.* See 9.5 and Note 4 for a specific warning statement.

2. Referenced Documents

2.1 ASTM Standards:²

- D 618 Practice for Conditioning Plastics for Testing
- D 638 Test Method for Tensile Properties of Plastics
- D 792 Test Methods for Density and Specific Gravity (Relative Density) of Plastics by Displacement
- D 883 Terminology Relating to Plastics

¹ This specification is under the jurisdiction of ASTM Committee D20 on Plastics and is the direct responsibility of Subcommittee D20.15 on Thermoplastic Materials.

Current edition approved Dec. 1, 2006. Published December 2006. Originally approved in 1991. Last previous edition approved in 2001 as D 4745 - 01.

² For referenced ASTM standards, visit the ASTM website, www.astm.org, or contact ASTM Customer Service at service@astm.org. For *Annual Book of ASTM Standards* volume information, refer to the standard's Document Summary page on the ASTM website.

- D 1600 Terminology for Abbreviated Terms Relating to Plastics
- D 1895 Test Methods for Apparent Density, Bulk Factor, and Pourability of Plastic Materials
- D 3892 Practice for Packaging/Packing of Plastics
- D 4894 Specification for Polytetrafluoroethylene (PTFE) Granular Molding and Ram Extrusion Materials
- D 5740 Guide for Writing Material Standards in the Classification D 4000 Format
- E 11 Specification for Wire Cloth and Sieves for Testing Purposes
- E 691 Practice for Conducting an Interlaboratory Study to Determine the Precision of a Test Method
- IEEE/ASTM SI-10 Standard for Use of the International System of Units (SI): The Modern Metric System³

3. Terminology

3.1 *Definitions*—The terminology given in Terminology D 883 is applicable to this specification unless otherwise specified.

3.2 Definitions of Terms Specific to This Standard:

3.2.1 *bulk density, n*—the mass in kilograms per cubic metre of resin compound measured under the conditions of the test.

3.2.2 *filled compound, n*—blend of PTFE resin as the matrix and particulate fillers, generally glass, other inorganic, metallic, or polymeric materials that withstand the sintering temperature of PTFE (327 to 380°C).

3.2.3 *free-flow resins (pelletized), n*—generally made by treatment of finely divided resins to produce free-flowing agglomerates.

3.2.4 *lot, n*—one production run or a uniform blend of two or more production runs.

3.2.5 *pigmented compound, n*—a compound in which a pigment is added for colorant purposes only.

3.2.6 *standard flow resins (nonpelletized), n*—finely divided resin with an average particle size less than 100 μm .

³ Available from ASTM International Headquarters, 100 Barr Harbor Drive, West Conshohocken, PA 19428

*A Summary of Changes section appears at the end of this standard.

TABLE 1 TFE Compounds, Type I, Standard Flow (Nonpelletized)

Grade		Raw Resin Bulk Density, min, g/L	Molded Parts (Molded and Sintered)				
			Specific Gravity, min	Specific Gravity, max	Tensile Strength		Elongation, min, %
					min, MPa	min, psi	
1	15 % glass fiber	400	2.150	2.25	19.6	2840	250
2	25 % glass fiber	425	2.150	2.250	15.7	2270	200
3	35 % glass fiber	450	2.200	2.300	10.3	1500	150
4	5 % glass fiber and 5 % MoS ₂	350	2.150	2.300	20.7	3000	250
5	15 % glass fiber and 5 % MoS ₂	375	2.150	2.300	17.2	2500	200
6	10 % graphite	350	2.100	2.220	17.9	2600	225
7	15 % graphite	300	2.100	2.200	16.6	2400	100
8	25 % carbon and graphite	350	1.950	2.100	11.0	1600	80
9	32 % carbon and graphite	325	1.900	2.100	6.9	1000	50
10	40 % bronze	500	2.900	3.200	17.2	2500	175
11	60 % bronze	650	3.800	4.000	13.8	2000	140
12	55 % bronze and 5 % MoS ₂	700	3.500	4.000	10.3	1500	80
13	50 % stainless steel	500	3.200	3.600	17.2	2500	150

3.3 *Abbreviations*—Abbreviations are in accordance with Terminology D 1600. PTFE is the acronym for polytetrafluoroethylene.

4. Classification

4.1 This specification covers the following two types of PTFE compounds:

4.1.1 *Type I*—Nonpelletized material, for general-purpose compression molding.

4.1.2 *Type II*—Pelletized or free-flowing material, for molding, automatic molding, or ram extrusion.

4.2 Thirteen grades of each type distinguished by the nature of the filler(s) are listed in Tables 1-3.

4.3 A one-line system may be used to specify materials covered by this specification. The system uses predefined cells to refer to specific aspects of this specification, as the following illustrates:

Standard Number Block	Specification				Special Notes
	Type	Grade	Class		
Example: Specification D 4745 – 97	II	2			

4.3.1 For this example, the line callout would be Specification D 4745 – 97, II 2, and would specify a pelletized or free-flowing filled composition of polytetrafluoroethylene that has all of the properties listed for that type, and grade in the appropriate specified properties, tables, or both, in the specification identified. A comma is used as the separator between the standard number and the type. Separators are not needed between the type, grade, and class.⁴ A provision for special notes is included so that other information can be provided when required. An example would be in Specification D 3295 – 81a where dimensions and tolerances are specified for each AWG size within type and class. When special notes are used, they should be preceded by a comma.

⁴ See the *ASTM Form and Style Manual*, available from ASTM Headquarters.

5. Ordering Information

5.1 The filled compounds of PTFE may be ordered using the type, (see 4.1) and the grade (see reference Table 1 and Table 3), or they may be ordered using the designation of the suppliers.

6. Requirements

6.1 The PTFE compounds covered by this specification shall be uniform (filler and resin particles evenly distributed) and shall contain no foreign material.

6.2 The PTFE compounds shall conform to the requirements prescribed in Tables 1-3 when tested by the procedures specified herein. Table 1 and Table 3 list requirements for Type I. Table 2 and Table 3 reference requirements for Type II.

6.3 Other PTFE compounds are commercially available, but are not described in this specification.

7. Sampling

7.1 Sampling shall be statistically adequate to satisfy the requirements of 13.4.

8. Number of Tests

8.1 Routine lot inspection tests shall consist of those carried out to determine the requirements specified in Table 1 or Table 3 depending on type. Periodic tests shall include using all the tests to determine the requirements in Table 3, depending on type.

8.2 The requirements listed in Tables 1-3, as they apply, are sufficient to establish conformity of a material to this specification. When the number of test specimens is not stated in the test method, single determinations may be made. If more than single determinations are made on specimens from separate portions of the same sample, the results shall be averaged. The single or average result shall conform to the requirements prescribed in this specification.

9. Test Specimens

9.1 Test specimens shall be cut from billets molded in accordance with the following procedures. An acceptable alternate procedure for molding the test plaque is described in Specification D 4894.

TABLE 2 TFE Compounds, Type II, Free-Flow (Pelletized)

Grade	Raw Resin Bulk Density, min, g/L	Molded Parts (Molded and Sintered)					
		Specific Gravity, min	Specific Gravity, max	Tensile Strength		Elongation, min, %	
				min, MPa	min, psi		
1	15 % glass fiber	625	2.150	2.25	13.8	2000	200
2	25 % glass fiber	625	2.150	2.250	12.4	1800	180
3	35 % glass fiber	650	2.200	2.300	8.3	1200	100
4	5 % glass fiber and 5 % MoS ₂	575	2.150	2.300	17.2	2500	220
5	15 % glass fiber and 5 % MoS ₂	600	2.150	2.300	13.8	2000	180
6	10 % graphite	600	2.100	2.220	13.8	2000	150
7	15 % graphite	550	2.100	2.200	10.3	1500	100
8	25 % carbon and graphite	500	1.950	2.100	8.3	1200	20
9	32 % carbon and graphite	500	1.900	2.100	6.9	1000	20
10	40 % bronze	750	2.900	3.200	13.8	2000	85
11	60 % bronze	900	3.800	4.000	10.3	1500	60
12	55 % bronze and 5 % MoS ₂	900	3.500	4.000	6.9	1000	60
13	50 % stainless steel	850	3.200	3.600	13.8	2000	100

TABLE 3 Required Filler Content

	Mass, %	Tolerance, ±, %
1	0 to 3	1
2	4 to 25	2
3	26 to 60	3
4	61 to 75	5

9.2 Test Billets:

9.2.1 Prior to molding, screen the material through a 2.0-mm hand sieve.

9.2.2 Preform solid test billets in a mold (see Fig. 1) having a cross-sectional area not greater than 25.8 cm² [4 in.²] and of sufficient height to contain the sample. Clearance should be sufficient to ensure escape of entrapped air during pressing. The billet length may be varied in accordance with the amount of testing to be done. A mold length of 250 mm [9.8 in.] produces a billet approximately 75 mm [2 to 3 in.] long. Powder-charge weight may be varied in accordance with the density of the material. The billet length should not exceed 75 mm [3 in.].

9.2.3 Assemble the mold. Add the resin to the mold, taking care not to fill within 13 mm [0.5 in.] of the top of the cavity. Insert the top plug and apply hand pressure, making certain that the pusher is centered in the mold. Place the mold in a hydraulic press and remove the support ring or spacers. Do not allow the two end plugs to bottom on the mold shell. Apply an initial load to the mold of 3.45 MPa [500 psi] ± 10 % and hold for 1 to 2 min. Increase the loading smoothly to the final preforming pressure in 3 to 5 min. Use 20.7 MPa [3000 psi] for compounds containing up to 4 % by weight filler. Use 34.5 MPa [5000 psi] for compounds containing 5 to 25 % by weight or less filler and 68.9 MPa [10 000 psi] for composite compounds containing more than 26 % filler. Hold under maximum pressure for 2 to 5 min. Release the pressure gradually without apparent movement of the press platens. Then open the press, remove the top pusher from the mold, and force the preform vertically out of the mold, using a continuous, smooth movement.

9.2.4 Place the preform in a sintering oven and sinter in accordance with the procedures in Table 4. Use Procedure B for compounds containing molybdenum disulfide filler.

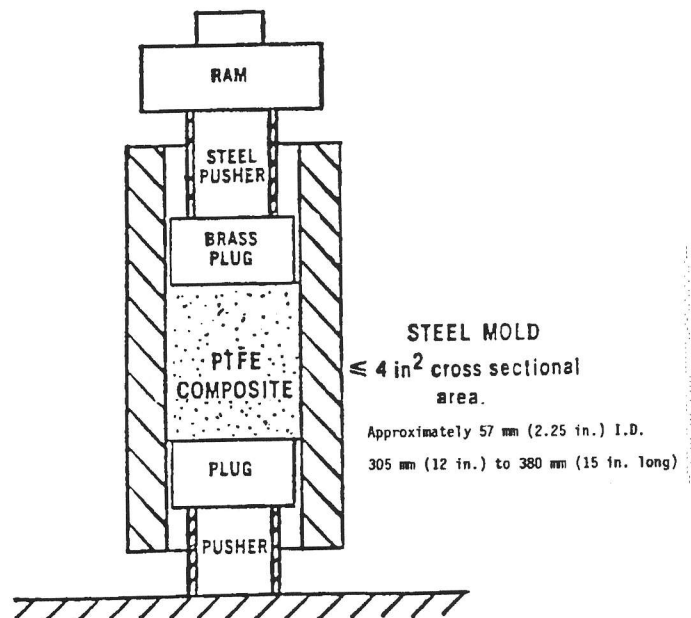


FIG. 1 Preforming of PTFE Composite Test Billet

TABLE 4 Sintering Procedures for Test Billets

	Procedure A	Procedure B
Initial temperature, °C (±) ^A	Ambient	Ambient
Rate of heating, °C/h [°F/h]	60 ± 5 [108 ± 9]	60 ± 5 [108 ± 10]
Hold temperature, °C [°F]	370 ± 6 [698 ± 10]	360 ± 6 [680 ± 10]
Hold time, min	240 ± 5	240 ± 5
Rate of cooling, °C/h [°F/h]	60 ± 5 [108 ± 9]	60 ± 5 [108 ± 9]
Final temperature, °C [°F] ^A	95 ± 6 [203 ± 10]	95 ± 6 [203 ± 10]
Time to cool to room temperature, h	24	24

^A Oven can be opened safely at these temperatures.

9.3 Sectioning Test Billet:

9.3.1 Remove and discard the top and bottom 2-mm [1/16 in.] section of the billet. Obtain transverse test specimens from as near the center of the billet as possible.

9.3.2 Prepare five test specimens, 1 ± 0.25 mm [0.040 ± 0.010 in.] in thickness for the determination of tensile strength and elongation and cut a piece of suitable thickness for density measurements. This piece should be approximately cubical in

shape, weighing at least 10 g. All surfaces must be smooth. Take care to avoid wedge-shape cuts.

9.4 The alternative test billet is described in Specification D 4894.

9.5 **Safety Warning**—At normal processing temperatures, PTFE liberates vapors that may be harmful. Provide adequate ventilation in areas where PTFE compounds are exposed to elevated temperatures. Avoid contaminating smoking materials with PTFE compounds.

10. Conditioning Test Specimens

10.1 For density and tensile properties the test specimens shall be conditioned in accordance with Procedure A of Practice D 618 for a period of at least 4 h prior to test.

11. Test Conditions

11.1 Tests shall be conducted at $23 \pm 2^\circ\text{C}$ [$73.4 \pm 4^\circ\text{F}$]. Since the resin does not absorb water, the maintenance of constant humidity during testing is not required.

12. Test Methods

12.1 Filler Content:

12.1.1 *Scope*—This burn-out procedure for filler content may be used for determining the amount of a filler in a compound. The procedure shall be carried out in an inert atmosphere, especially when fillers that react with PTFE and oxygen in the air are present. This reaction produces volatile products that cause incorrect results.

12.1.2 The equipment used is a tube furnace suitable for use at $680 \pm 25^\circ\text{C}$ [$1250 \pm 50^\circ\text{F}$]. The furnace should have a combustion tube made of ceramic or Vycor glass. Two nickel or platinum combustion boats should be used to enable the test to run in duplicate. A system is needed to supply a constant purge of dry nitrogen through the furnace at a rate of 10 to 50 mL/min.

12.1.3 Scrub the pyrolysis gases with a base, such as a dilute solution of sodium hydroxide, and vent to the outside atmosphere.

NOTE 4—Take care to avoid leakage of fumes into the work area. Take precautions to avoid the inhalation of, or exposure to gases from the pyrolysis since these gases may be hazardous.

12.1.4 Add approximately 2 g of the sample to each of the combustion boats, using standard quantitative laboratory weighing practices. Place boats and samples into the furnace. Heat and hold at $680 \pm 25^\circ\text{C}$ [$1250 \pm 50^\circ\text{F}$] until complete degradation of the PTFE has occurred. One hour is sufficient time. Maintain an inert atmosphere during the heating, pyrolysis, and cooling steps. Calculate the percentage of filler as the net weight of the residue multiplied by 100, divided by the net weight of the original sample.

12.1.5 Calculate the filler content by volume as follows:

$$E = \frac{F}{U + F} \times 100 \quad (1)$$

where:

F = grams per litre of the filler.

U = grams per litre of the unfilled PTFE.

E = equivalent filler content (% by volume).

12.1.6 The percent by volume of filler in a finished piece is lower than that in the powder compounds due to the increase in volume of PTFE that results from the change in crystalline content that occurs during sintering.

12.2 Filler Content (Alternate Method):

12.2.1 *Scope*—This burn-out procedure for filler content may be used as alternate to the split tube furnace method of 12.1. The procedure shall be carried out in an inert atmosphere, especially when fillers that react with PTFE and oxygen in the air are present. This reaction produces volatile products that cause incorrect results.

12.2.2 *Equipment*—Thermogravimetric analyzer, capable of weighing a sample as heat is applied. The analyzer should be programmable to apply $680 \pm 20^\circ\text{C}$ [$1250 \pm 50^\circ\text{F}$]. A constant supply of nitrogen, or suitable purge gas, is needed to flow through the furnace at a rate of 20 ± 10 mL/min. The crucible should be constructed of aluminum oxide or platinum.

12.2.3 The pyrolysis gases should be scrubbed in accordance with 12.1.3.

12.2.4 Add 50 ± 10 mg to a crucible. Place crucible and sample in furnace. Heat and hold at $680 \pm 25^\circ\text{C}$ [$1250 \pm 50^\circ\text{F}$] until complete degradation of the PTFE has occurred (one hour is sufficient). Maintain an inert atmosphere during the heating, pyrolysis, and cooling steps. The analyzer should be capable of calculating the residue left after the test cycle is complete. Follow the manufacturer's instructions.

12.3 Bulk Density:

12.3.1 Bulk density gives some indication, on a volumetric basis, of how the resin may perform during feeding of molding and extrusion equipment. The PTFE resins have a tendency to compact during shipment and storage, and even though the material is broken up by screening or other means, original as-produced results may not be duplicated. Because of this tendency to pack under small amounts of compression or shear, Test Methods D 1895 are not applicable to these resins. Follow the procedure given in the following paragraph.

12.3.2 *Apparatus and Test Method*—Perform the test in accordance with instructions titled *bulk density* in Specification D 4894.

12.4 Tensile Properties:

12.4.1 Procedure:

Using the microtensile cutting die shown in Fig. 2, cut five tensile specimens from the slices prepared as in 9.3.2. Determine the tensile properties in accordance with the procedures described in Test Method D 638, except the initial jaw separation shall be 22.2 ± 0.13 mm [0.875 ± 0.005 in.], and the speed of testing shall be 50 mm [2 in.]/min. Clamp the specimens with essentially equal lengths in each jaw. Determine elongation from the chart, expressed as a percentage of the initial jaw separation.

12.4.1.1 Sample Calculation:

$$E = \frac{F - I}{I} \times 100 \quad (2)$$

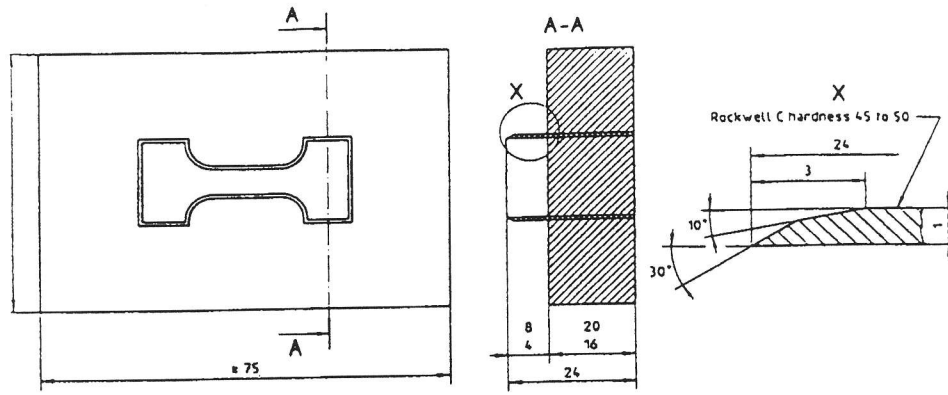
where:

E = elongation, %,

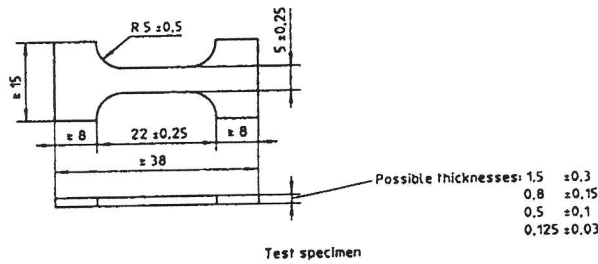
F = final length of the jaw separation, mm, and

I = initial length of the jaw separation, mm.

12.5 Specific Gravity:



Steel-rule die
(inside dimensions for die are the same as test specimen)
Die to be sharpened on outside edge only (as shown in A-A)



Test specimen

NOTE 1—Dimensions in millimetres.

FIG. 2 Microtensile Die—ISO

12.5.1 Determine the specific gravity of specimens taken from the center part of the billet described in 9.2.2.

12.5.2 Make specific gravity determinations in accordance with the procedures described in Test Methods D 792. Add two drops of a wetting agent to the water in order to reduce surface tension and ensure complete wetting of the specimen.

13. Inspection and Certification

13.1 Inspection and certification of the material supplied with reference to a specification based on this classification system shall be for conformance to the requirements specified herein.

13.2 Lot-acceptance inspection shall be on the basis on which acceptance or rejection of the lot is made. The lot-acceptance inspection shall consist of: manufacturers' test data for density, tensile strength, and elongation.

13.3 Periodic check inspection with reference to a specification based upon this classification system shall consist of the tests for all requirements of the material under the specification. Inspection frequency shall be adequate to ensure the material is certifiable in accordance with 13.4.

13.4 Certification shall be that the material was manufactured by a process in statistical control, sampled, tested, and inspected in accordance with this classification system, and that the average values for the lot meet requirements of the specification (line callout).

13.5 A report of test results shall be furnished when requested. The report shall consist of results of the lot-acceptance inspection for the shipment and the results of the most recent periodic-check inspection.

14. Packaging and Package Marking

14.1 Packaging and packing provisions shall be in accordance with Practice D 3892.

14.2 *Marking*—Shipping containers shall be marked with the name of the material, type, and quantity contained therein, and appropriate cautionary information.

15. Keywords

15.1 filled compounds; filled polytetrafluoroethylene; fluorocarbon polymers; fluoropolymer; fluoropolymer composites; polytetrafluoroethylene; PTFE

SUMMARY OF CHANGES

Committee D20 has identified the location of selected changes to this standard since the last issue (D 4745 - 01) that may impact the use of this standard. (December 1, 2006)

- | | |
|--|---------------------------------------|
| (1) Revised 9.2.3. | (4) Revised Table 2. |
| (2) Removed definition for “density” in Section 3. | (5) Revised 12.5, 12.5.1, and 12.5.2. |
| (3) Revised Note 1. | |

ASTM International takes no position respecting the validity of any patent rights asserted in connection with any item mentioned in this standard. Users of this standard are expressly advised that determination of the validity of any such patent rights, and the risk of infringement of such rights, are entirely their own responsibility.

This standard is subject to revision at any time by the responsible technical committee and must be reviewed every five years and if not revised, either reapproved or withdrawn. Your comments are invited either for revision of this standard or for additional standards and should be addressed to ASTM International Headquarters. Your comments will receive careful consideration at a meeting of the responsible technical committee, which you may attend. If you feel that your comments have not received a fair hearing you should make your views known to the ASTM Committee on Standards, at the address shown below.

This standard is copyrighted by ASTM International, 100 Barr Harbor Drive, PO Box C700, West Conshohocken, PA 19428-2959, United States. Individual reprints (single or multiple copies) of this standard may be obtained by contacting ASTM at the above address or at 610-832-9585 (phone), 610-832-9555 (fax), or service@astm.org (e-mail); or through the ASTM website (www.astm.org).